

GENERAL

ALIAMAG AMF900 Series is a flange type electromagnetic flowmeter ideal for conductive liquids. It comes in sizes from 1/4" to 8" in.

AMF900 is widely used for tap-water, waste water, food & beverage pulp & paper and many other industrial fluid.

AMF900 Series electromagnetic flowmeter could be used in compact or separate model with AMC Series converter of electromagnetic flowmeter.

FEATURES

- Various liner and electrode satisfy most industrial applications
- Flow Velocity range: 0-12 m/s, precise in low flow applications
- It comes any flanges such as, ANSI, DIN, JIS... etc
- Excellent for high pressure application
- Protection class: IP68 available; sensor submersible
- FEP Liner is suitable for vacuum tube
- High accuracy of +/-0.4% value of reading (or +/-0.2% value of reading)
- With Forward/Reverse flowrate measurement function

STANDARD SPECIFICATION

- | | |
|---|---|
| <ul style="list-style-type: none"> ● Size : 1/4", 3/8", 1/2", 3/4", 1", 1-1/4", 1-1/2", 2", 2-1/2", 3", 4", 5", 6", 8", 10", 12", 14", 16", 18", 20", 24", 28", 32", 36", 40", 48", 56", 64", 72", 80" inches ● Measuring Range : Velocity 0 - 0.25 m/s min.
0 - 12 m/s max. ● Material <ul style="list-style-type: none"> Measuring Tube : Stainless Steel 304 Flange : Carbon Steel (Standard) : Stainless Steel 304 (Option) : Stainless Steel 316, 316L (Option) Coil Housing : Carbon Steel (Standard) : Stainless Steel 304 (Option) : Stainless Steel 316, 316L (Option) ● Liner : Polyurethane (1" - 24" in) : Neoprene (2" - 80" in) : FEP (1/4" - 12" in) : PTFE (1" - 32" in) : PFA (1/4" - 12" in) ● Protection Class : Junction box IP67, Body IP68 : IP 68 (Submersible) ● Conductivity : More than 1.9" in ● Explosion Proof : Exd(ib)ibqIIBT5
(with AMC3100/AMC4000 only) | <ul style="list-style-type: none"> ● Electrode & Grounding : Stainless Steel 316L : Hastelloy B : Hastelloy C : Titanium : Tantalum : Platinum : Tungsten Carbide ● Cable Entry : Standard :PG11 Option:1/2"NPTF ● Ambient Temperature : -13 ...140 °F ● Process Connection : Flange ● Flange Type : JIS 10K / JIS 20K / JIS 40K : ANSI 150# / ANSI 300# / ANSI 600# : DIN PN 10 / PN 16 / PN25 / PN 40 ● Grounding Resistance : Must be less than 10 Ω ● Accuracy : +/-0.4% of reading (Velocity ≥ 0.5 m/s) : +/-0.0025 m/s (Velocity < 0.5 m/s) : +/-0.2% of reading
(Suitable for AMC3100 converter only) ● Temperature : 14 ...140 °F (Polyurethane, PU) : -4 ...158 °F (Neoprene) : -40 ...356 °F (FEP) : -40 ...356 °F (PTFE/PFA) ● Max. Pressure : 771 PSIG |
|---|---|

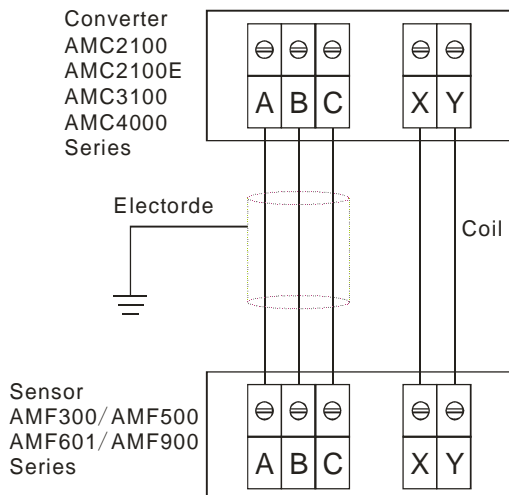


FLOW RANGE

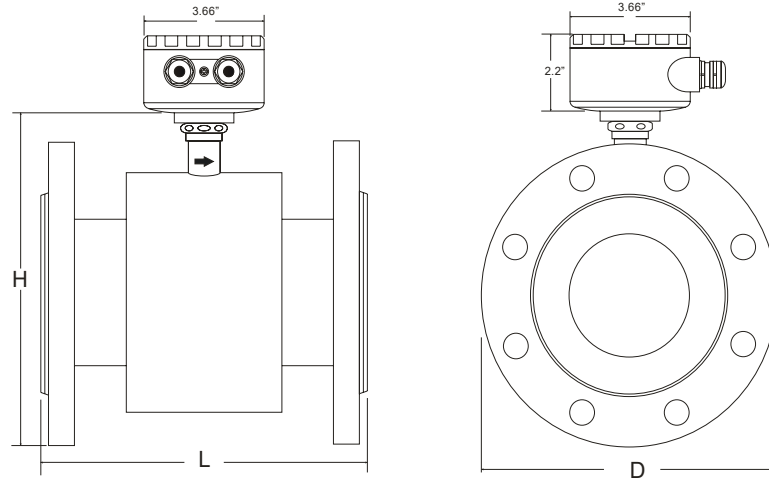
Unit: M3/Hr

Normal Size		Flow Range & Velocity Table						
mm	Inch	Min.						Max.
		0 - 0.25M/S	1.0 M/S	2.0 M/S	3.0 M/S	5.0 M/S	10.0 M/S	0 - 12 M/S
6	1/4"	0 to 0.025	0.10	0.20	0.31	0.51	1.02	0 to 1.22
10	3/8"	0 to 0.071	0.28	0.57	0.85	1.41	2.83	0 to 3.39
15	1/2"	0 to 0.16	0.64	1.27	1.91	3.18	6.36	0 to 7.63
20	3/4"	0 to 0.28	1.13	2.26	3.39	5.65	11.3	0 to 13.6
25	1"	0 to 0.44	1.77	3.53	5.30	8.84	17.7	0 to 21.2
32	1-1/4"	0 to 0.72	2.90	5.79	8.69	14.5	29.0	0 to 34.7
40	1-1/2"	0 to 1.13	4.52	9.05	13.6	22.6	45.2	0 to 54.3
50	2"	0 to 1.77	7.07	14.1	21.2	35.3	70.7	0 to 84.8
65	2-1/2"	0 to 2.99	11.9	23.9	35.8	59.7	119	0 to 143
80	3"	0 to 4.52	18.1	36.2	54.3	90.5	181	0 to 217
100	4"	0 to 7.07	28.3	56.5	84.8	141.4	283	0 to 339
125	5"	0 to 11.0	44.2	88.4	133	220.9	442	0 to 530
150	6"	0 to 15.9	63.6	127	191	318.1	636	0 to 763
200	8"	0 to 28.3	113	226	339	565.5	1131	0 to 1357
250	10"	0 to 44.2	177	353	530	883.6	1767	0 to 2121
300	12"	0 to 63.6	254	509	763	1272	2545	0 to 3054
350	14"	0 to 86.6	346	693	1039	1732	3464	0 to 4156
400	16"	0 to 113	452	905	1357	2262	4524	0 to 5429
450	18"	0 to 143	573	1145	1718	2863	5725	0 to 6871
500	20"	0 to 177	707	1414	2121	3534	7068	0 to 8482
600	24"	0 to 254	1018	2036	3054	5089	10179	0 to 12214
700	28"	0 to 346	1385	2771	4156	6927	13854	0 to 16625
800	32"	0 to 452	1810	3619	5429	9048	18095	0 to 21714
900	36"	0 to 573	2290	4580	6871	11451	22902	0 to 27482
1000	40"	0 to 707	2827	5655	8482	14137	28274	0 to 33928
1200	48"	0 to 1018	4071	8143	12214	20357	40714	0 to 48857
1400	56"	0 to 1385	5542	11083	16625	27708	55417	0 to 66500
1600	64"	0 to 1810	7238	14476	21714	36190	72381	0 to 86857
1800	72"	0 to 2290	9161	18321	27482	45803	91607	0 to 109928
2000	80"	0 to 2827	11309	22619	33928	56547	113095	0 to 135714

WIRING DIAGRAM



➤ DIMENSIONS



Size (in)	Standard Pressure PSI	Liner Material				Dimensions (in)			Weight lb
		FEP / PFA	Neoprene	Polyurethane	PTFE	L	D	H	
1/4"	568	⊙				5.9"	3.5"	5.7"	8.8
3/8"		⊙							8.8
1/2"		⊙					3.5"	6.1"	9.9
3/4"		⊙					3.7"	6.2"	11.2
1"		⊙		⊙	⊙		4.1"	6.5"	12.1
1-1/4"		⊙		⊙	⊙		4.5"	7.1"	15.4
1-1/2"		⊙		⊙	⊙		5.5"	7.5"	16.9
2"		⊙	⊙	⊙	⊙		7.87"	5.9"	7.9"
2-1/2"		⊙	⊙	⊙	⊙	6.5"		8.6"	25.3
3"		⊙	⊙	⊙	⊙	7.2"		9.2"	28.6
4"	227	⊙	⊙	⊙	⊙	9.84"	7.8"	10"	35.2
5"		⊙	⊙	⊙	⊙		8.6"	11.1"	46.3
6"		⊙	⊙	⊙	⊙	11.81"	9.8"	12.3"	59.5
8"	142	⊙	⊙	⊙	⊙	13.78"	11.2"	14.5"	99.2
10"		⊙	⊙	⊙	⊙	15.75"	13.4"	16.9"	116.8
12"		⊙	⊙	⊙	⊙	17.71"	15.5"	18.9"	158.7
14"			⊙	⊙	⊙		17.5"	21.2"	165.3
16"			⊙	⊙	⊙	19.7"	19.8"	23.6"	218.3
18"			⊙	⊙	⊙	23.6"	22.2"	25.2"	456.4
20"			⊙	⊙	⊙		24.2"	27.5"	522.5
24"			⊙	⊙	⊙		26.3"	31.5"	701.1
28"			⊙		⊙		27.55"	30.7"	35.8"
32"			⊙		⊙	31.5"	35.2"	40.1"	899.5
36"		⊙			35.43"	39.9"	44.1"	1,008	
40"		⊙			39.37"	43.9"	48.3"	1,345	
48"	85		⊙			47.25"	48.4"	55.3"	3,219
56"			⊙			55.12"	55.3"	64.1"	6,109
64"			⊙			63.0"	72.1"	72.1"	7,628
72"			⊙			70.86"	80.5"	80.5"	10,710
80"			⊙			78.74"	89.1"	89.1"	12,710-

Note: ⊙ Standard

Weight & Dimension D & H only for DIN flange

MODEL SELECTION GUIDE

AMF900 Series										
Example:AMF900-P0100-CAE84-010-T1										
AMF900-	X	XXXX-	X	X	X	X	X-	XXX	-X	Description
Liner	N									Chloroprene Rubber (Neoprene)(50 ~ 2000mm, 2" ~ 80")
	F									FEP (6 ~ 300mm, 1/4" ~ 12")
	P									PTFE (25 ~ 800mm, 1" ~ 32")
	A									PFA (6 ~ 300mm, 1/4" ~ 12")
	O									Polyurethane (25 ~ 600mm, 1" ~ 24")
Size		6 ~ 2000								6 ~ 2000mm
Electrode Material			-S							Stainless Steel 316L
			-T							Titanium
			-B							Hastelloy B
			-C							Hastelloy C
			-A							Tantalum
			-P							Platinum
			-U							Tungsten Carbide
			-Z							Others
Process Connection			1							PN10
			2							PN16
			3							PN25
			4							PN40
			A							ANSI 150 #
			B							ANSI 300 #
			C							ANSI 600 #
			J							JIS 10K
			K							JIS 20K
			L							JIS 40K
		Z							Others	
Grounding			N							None
			E							Grounding Electrode (3 Electrodes)
			R							Grounding Ring (Stainless Steel 316)
			A							Grounding & Protection Ring (Stainless Steel 316)
Protection Class			8							Junction box IP67, Body IP68
			9							IP68 (Submersible, Separate with Converter Only)
Flange & Housing			0-							Carbon Steel (Standard)
			4-							S.S.304 Flange
			6-							S.S.316 Flange
			8-							S.S.304 Flange & Housing
			9-							S.S.316 Flange & Housing
Installation & Cable Length			NNN							Compact Version
			010~300							Separate Version, Cable 10M ~ 300M
Option			-N							None
			-X							Explosion Proof, Exd(ib)ibqIBT5 (with AMC3100/AMC4000 only)
			-T1							Max. Temp.: 248 ... 284 °F
			-T2							Max. Temp.: 285 ... 356 °F
			-PT							Cable Entry 1/2" NPTF